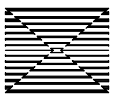
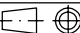
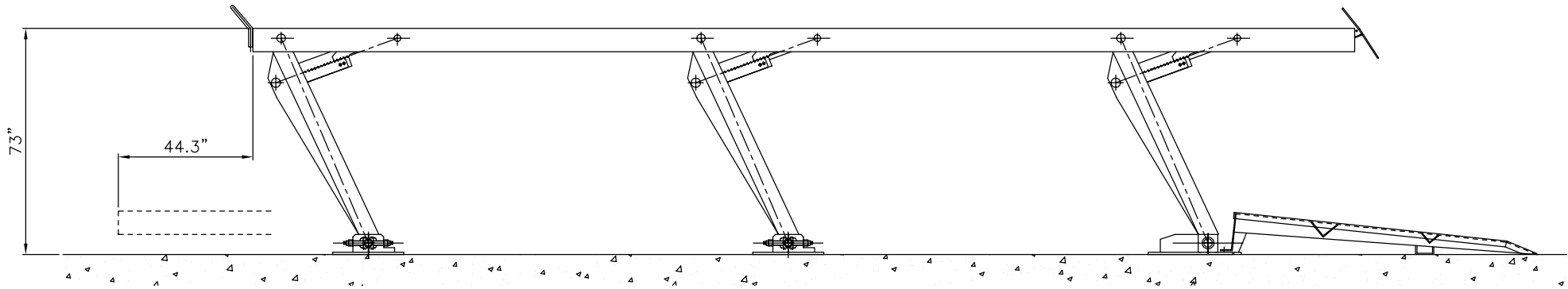


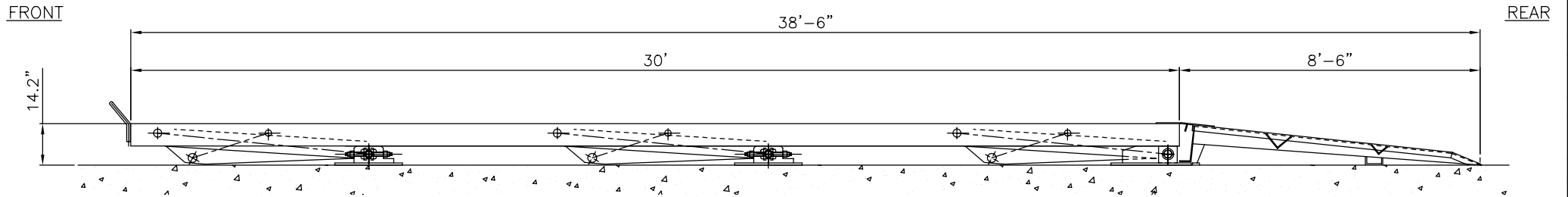
REVISIONS	DATE	a	b	c	d	e	f	g	h	i	l	m	n
SIGNATURE													
APPROVED													
Q.A.													

CUSTOMER		CONTINUOUS BASE -FLUSH MOUNT-			
WORK ORDER	VEGA 340/75 H=73" L=30'				
Tot. Q.ty					
	O.M.E.R. S.p.A.		SCALE 1:25	DATE 15/05/00	
	DRAFTSMAN	CHECKED	APPROVAL	Q.A.	
	GOBBO				
DWG. N°	06	SHEET N°			
FILE e:/istruz/v340cb30_03_06	OF SHEET	REV.			
<small>The information contained herein is property of O.M.E.R. spa_ This material cannot be reproduced nor used, all or in part, without written authorization from O.M.E.R. spa_</small>					

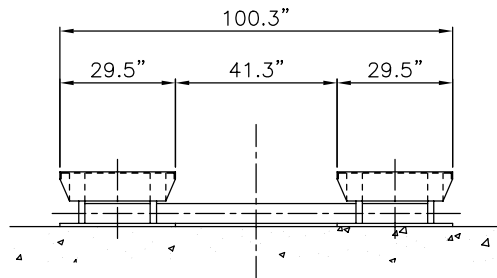




SIDE VIEW WITH LIFT AT  
MAX POSITION

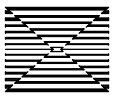
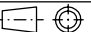


SIDE VIEW WITH LIFT CLOSED



TRANSVERSAL VIEW

VIEWS SHOWING LIFT UNIT  
AND CONCRETE OUTLINE

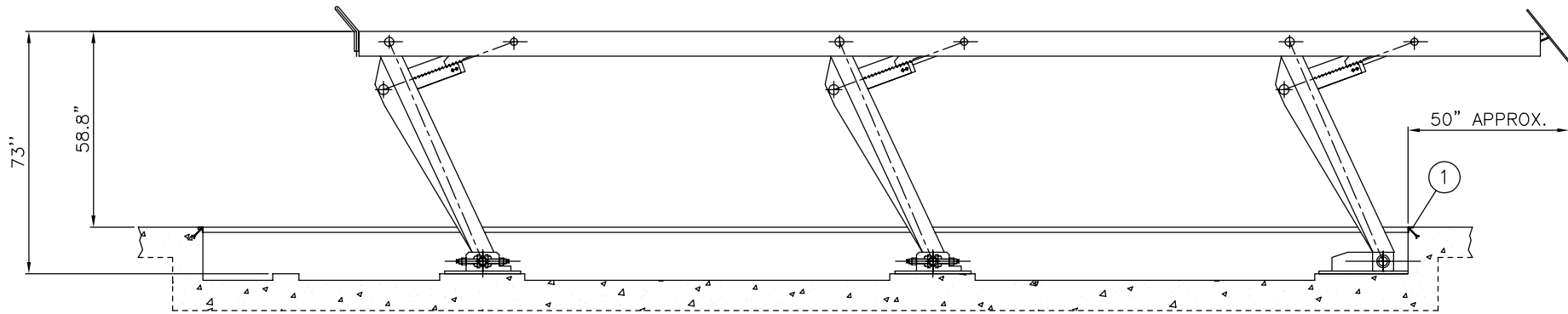
CUSTOMER		OPEN FLOOR -ABOVE GROUND-			
WORK ORDER	VEGA 340/75		H=73"	L=30'	
Tot. Q.ty					
	O.M.E.R. S.p.A.		SCALE 1:35	DATE 12/05/00	
	DRAFTSMAN	CHECKED	APPROVAL	Q.A.	
MINTO					
DWG. N° 08		SHEET N°			
FILE e:/istruz/v340sb30_08_09		OF SHEET		REV.	

The information contained herein is property of O.M.E.R. spa\_  
This material cannot be reproduced nor used , all or in part , without  
written authorization from O.M.E.R. spa\_

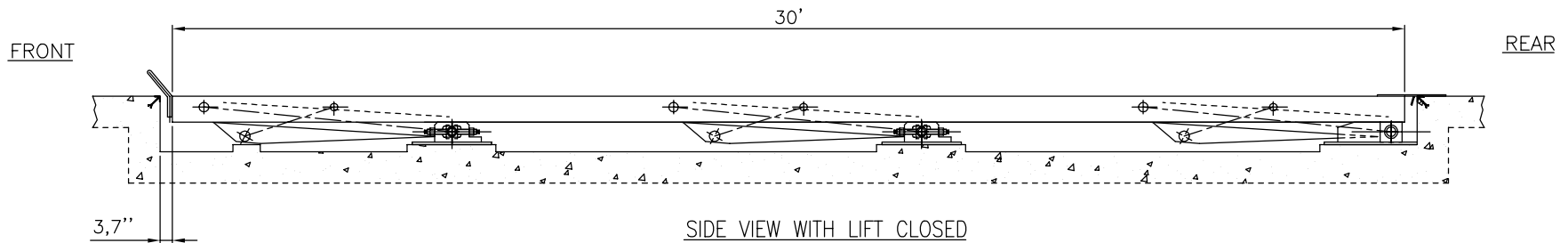
REVISIONS	DATE	SIGNATURE	APPROVED	Q.A.
a				
b				
c				
d				
e				
f				
g				
h				
i				
l				
m				
n				



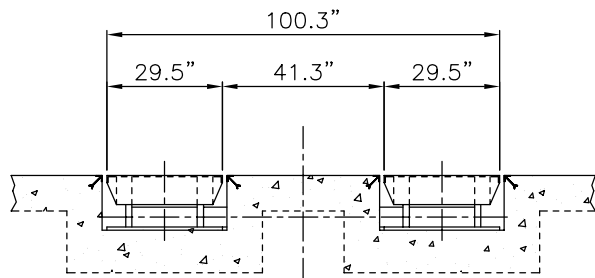




SIDE VIEW WITH LIFT AT  
MAX POSITION

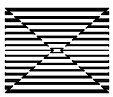


SIDE VIEW WITH LIFT CLOSED

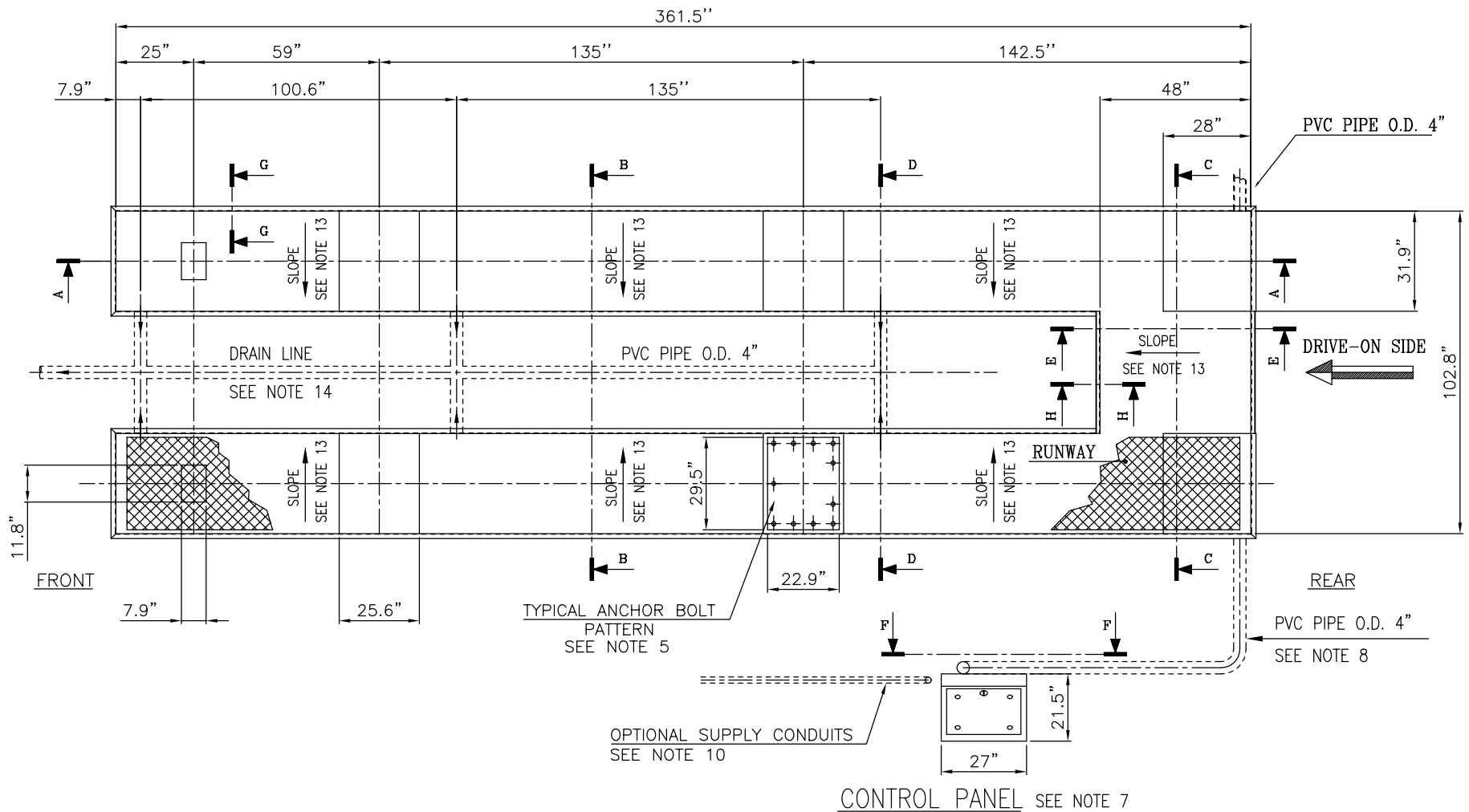


TRANSVERSAL VIEW

IEWS SHOWING LIFT UNIT  
AND CONCRETE OUTLINE

CUSTOMER		OPEN FLOOR -FLUSH MOUNT-		
WORK ORDER	VEGA 340/75		H=73"	L=30'
Tot. Q.ty				
	O.M.E.R. S.p.A.		SCALE 1:35	DATE 12/05/00
			DRAFTSMAN	CHECKED
		MINTO		
		DWG. N° 10	SHEET N°	
		FILE e:/istruz/v340sb30_10_13	OF SHEET	
The information contained herein is property of O.M.E.R. spa_ This material cannot be reproduced nor used, all or in part, without written authorization from O.M.E.R. spa_		REV.		

REVISIONS	DATE	SIGNATURE	APPROVED	Q.A.
a				
b				
c				
d				
e				
f				
g				
h				
i				
l				
m				
n				



PLAN VIEW

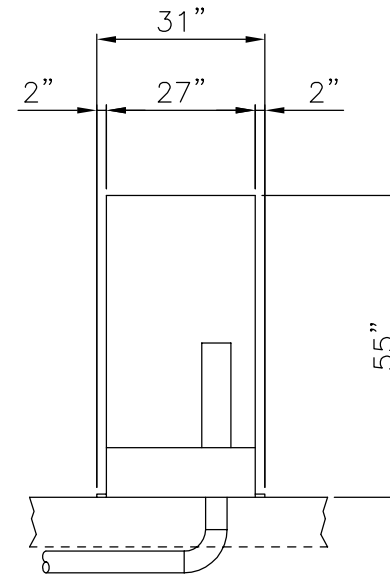
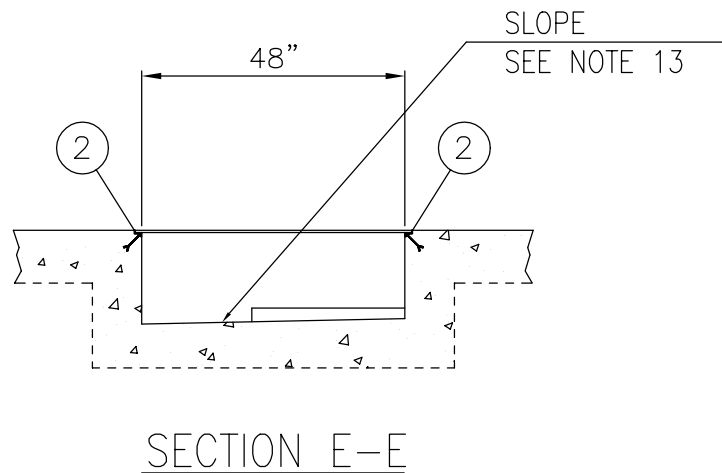
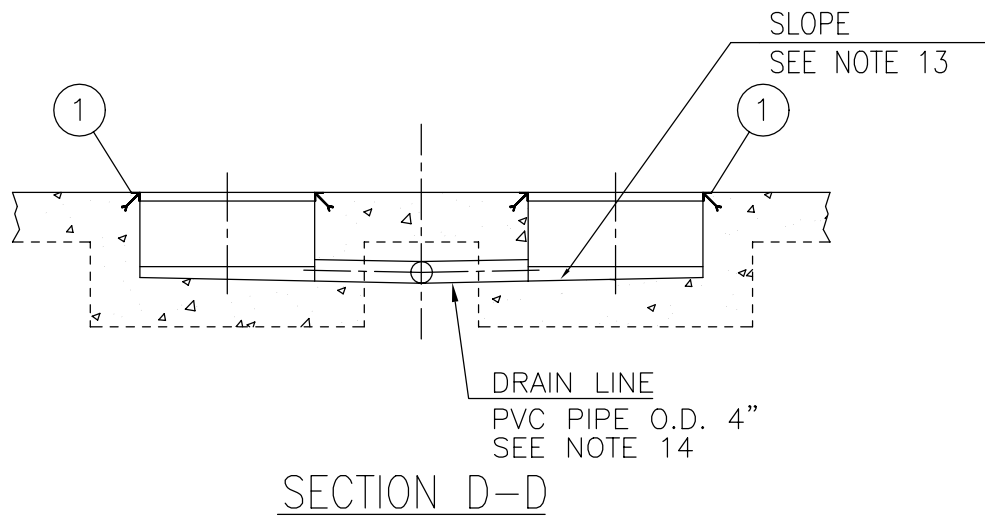
CONTROL PANEL SEE NOTE 7

REVISIONS	DATE	SIGNATURE	APPROVED	Q.A.
n				
m				
l				
i				
h				
g				
f				
e				
d				
c				
b				
a				

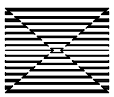
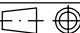
CUSTOMER		OPEN FLOOR -FLUSH MOUNT-		
WORK ORDER	VEGA 340/75		H=73"	L=30'
Tot. Q.ty				
	SCALE	1:35	DATE	15/05/00
	DRAFTSMAN	GOBBO	CHECKED	APPROVAL
	DWG. N°	11	SHEET N°	
	FILE	e/istruz/v340sb30_10_13	OF SHEET	REV.

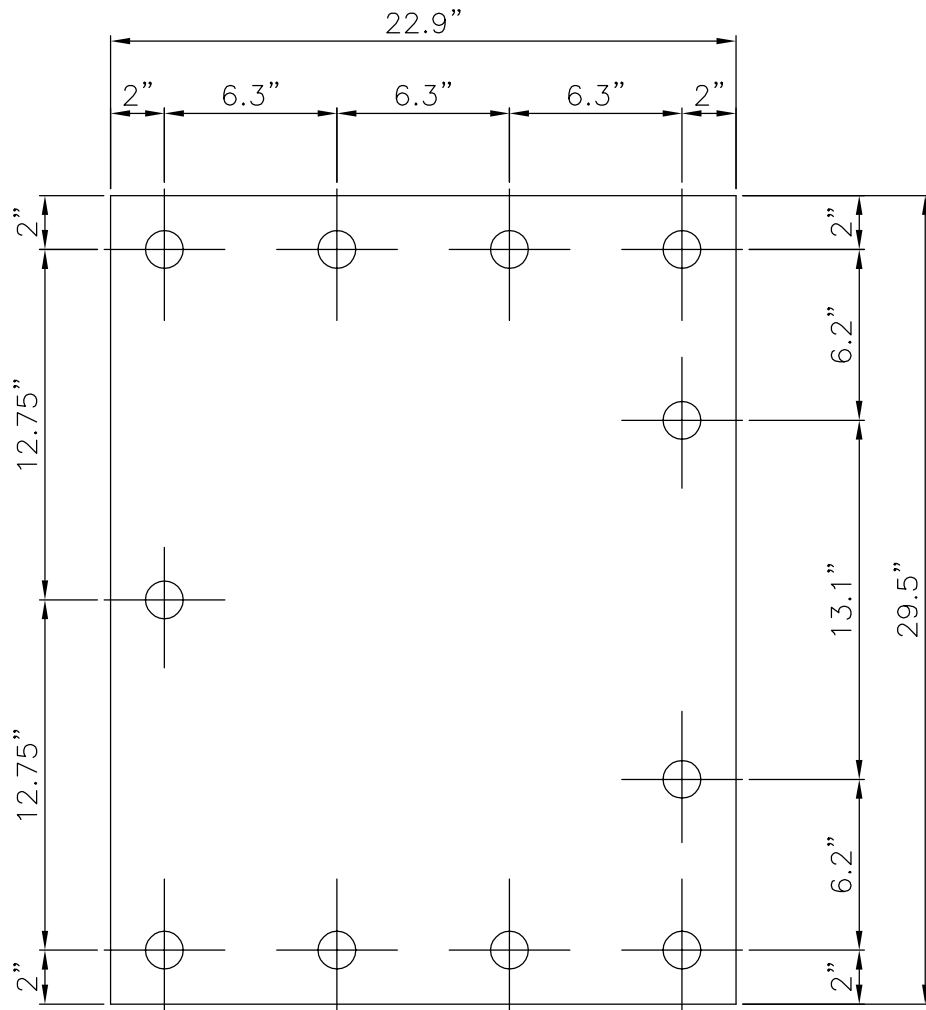
The information contained herein is property of O.M.E.R. spa\_ This material cannot be reproduced nor used, all or in part, without written authorization from O.M.E.R. spa\_



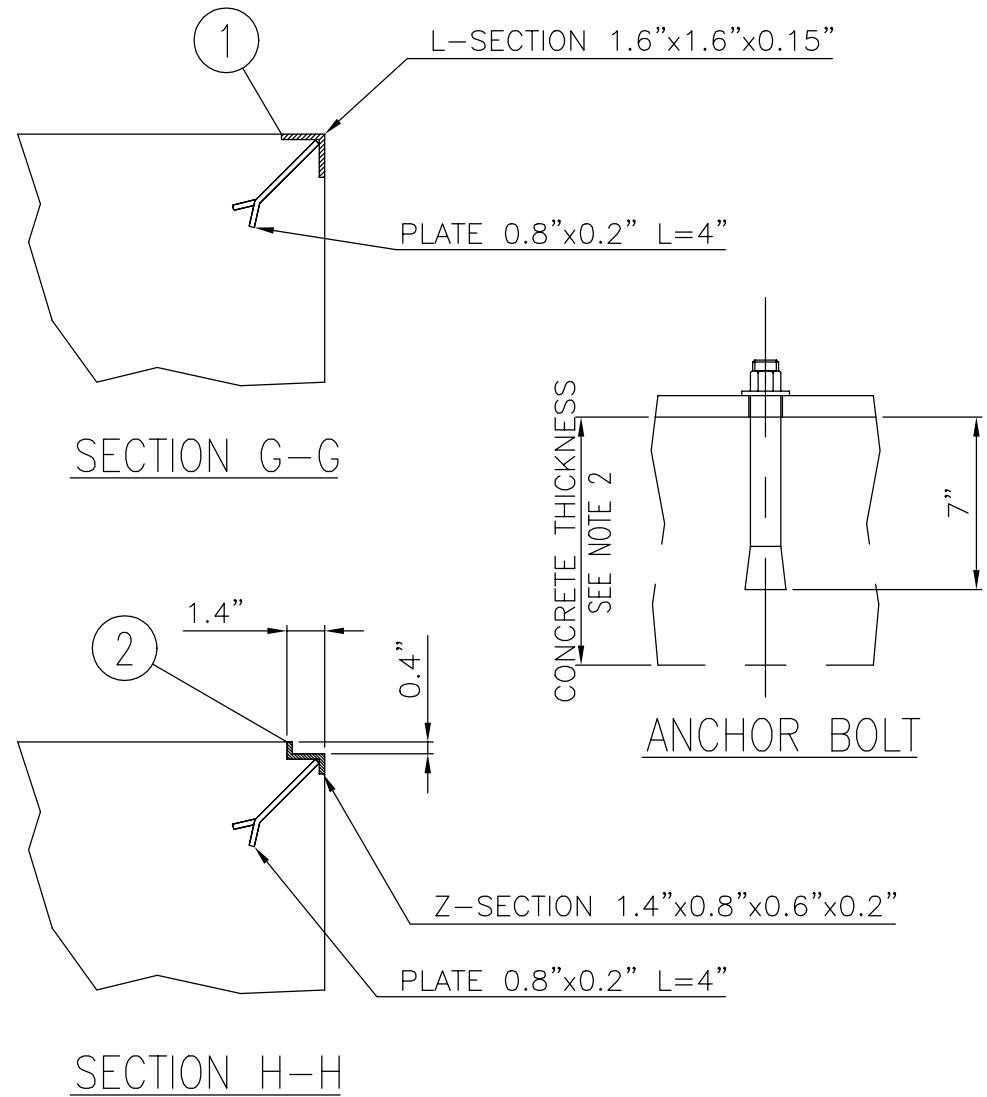


REVISIONS	DATE	a	b	c	d	e	f	g	h	i	l	m	n
SIGNATURE													
APPROVED													
Q.A.													

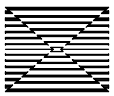
CUSTOMER		OPEN FLOOR -FLUSH MOUNT-			
WORK ORDER	VEGA 340/75 H=73" L=30'				
Tot. Q.ty					
	SCALE 1:25		DATE 15/05/00		
	DRAFTSMAN	CHECKED	APPROVAL	Q.A.	
	MINTO				
	DWG. N°	13	SHEET N°		
The information contained herein is property of O.M.E.R. spa_ This material cannot be reproduced nor used , all or in part , without written authorization from O.M.E.R. spa_		FILE e/istruz/v340sb30_10_13	OF SHEET	REV.	



FOOTPRINT BOLT PATTERN



REVISIONS	DATE	a	b	c	d	e	f	g	h	i	l	m	n
SIGNATURE													
APPROVED													
Q.A.													

CUSTOMER		OPEN FLOOR	
WORK ORDER	VEGA 340/75 H=73" L=30'		
Tot. Q.ty			
	SCALE 1:5		DATE 15/05/00
	DRAFTSMAN GOBBO	CHECKED	APPROVAL Q.A.
DWG. N° 14		SHEET N°	
FILE e/istruz/v340sb30_14		OF SHEET	
<small>The information contained herein is property of O.M.E.R. spa_ This material cannot be reproduced nor used, all or in part, without written authorization from O.M.E.R. spa_</small>			
		REV.	



